

# VCXO

## Full and Half Size

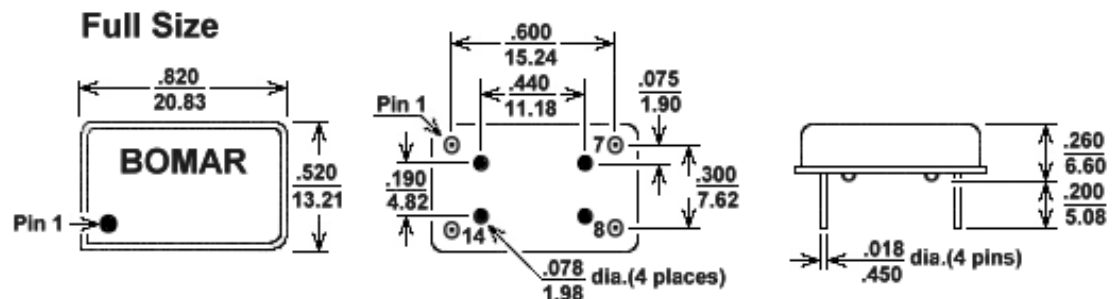


### Specifications:

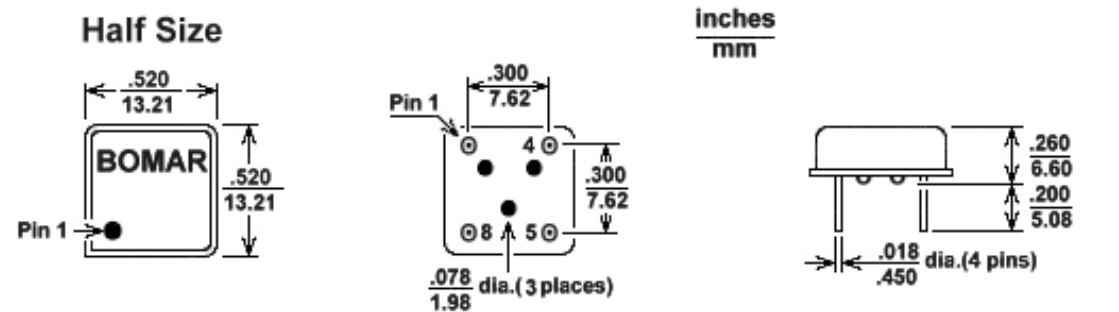
Frequency Range	1.000 - 19.999 MHz	20.000 - 39.999 MHz	40.000 - 160.000 MHz
Frequency Stability *	10PPM to 100PPM		
Temperature Range (Operating)	0° to 70° C. Standard		-40° to +85° C. Optional
Temperature Range (Storage)	-55° to +125° C.		
Supply Voltage	+5VDC ±10% Standard		+3.3VDC ±10% Optional
Current Consumption	25mA Max.	40mA Max.	60mA Max.
Symmetry	40/60% @ 50% VDC		
Rise and Fall Time	4nS Max.		
Control Voltage	2.5VDC ±2.0VDC(5V supply)	1.65VDC ±1.5VDC(3.3V supply)	
Pullability	±125PPM(typical)		
Output Load	TTL - 10TTL/20pF		HCMOS - Up to 50pF

\*Inclusive of 25 C. tolerance, operating temperature range, input voltage change, load change, aging, shock and vibration

Full Size VCXO	
Pins	Connections
1	Control Voltage
7	Ground
8	Output
14	Supply Voltage



Half Size VCXO	
Pins	Connections
1	Control Voltage
4	Ground
5	Output
8	Supply Voltage



To Order ~ Phone: 1-800-526-3935 ~ Fax: 1-800-777-2197  
[www.bomarcystal.com](http://www.bomarcystal.com) ~ e-mail: [sales@bomarcystal.com](mailto:sales@bomarcystal.com)